

**Universal step coupling PN 16**  
**For cast iron, ductile iron, steel, PVC-U, PVC-M, PVC-O, AC and copper pipes**

**Use:**

For water and sewage applications to max. 40°C  
 Angular deflection of ±4 degrees (total 8 degrees)  
 16 bar / 160 metres allowable operating pressure (AOP)  
 Non tensile  
 This product provides no longitudinal joint restraint

**Approvals:**

All materials are AS/NZS 4020 compliant  
 Fully conforming to AS/NZS 4998:2009  
 Bolted unrestrained mechanical couplings for waterworks purposes

**Materials:**

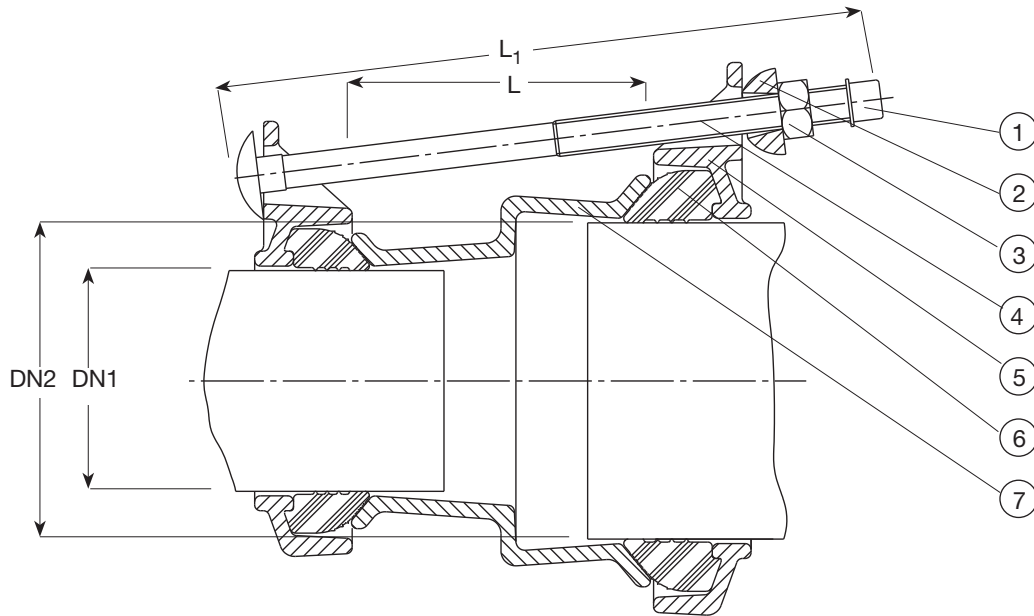
Gland rings, stepped barrel	Ductile iron, AS 1831 Gr. 400-12 min.
Coating	Fusion bonded epoxy to AS/NZS 4158
Rubber seals	Water: EPDM to AS/NZS 1646, AS/NZS 4020 compliant
Nuts	SS 316, PTFE coated
Washers	SS 316
Bolts	SS 316



Universal step coupling PN 16  
 For cast iron, ductile iron, steel, PVC-U, PVC-M, PVC-O, AC and copper pipes

**Component list**

- |            |                |                   |
|------------|----------------|-------------------|
| 1. End cap | 4. Bolt        | 7. Stepped barrel |
| 2. Washer  | 5. Bracket     |                   |
| 3. Nut     | 6. Rubber seal |                   |



Ref. nos.	Pipe DN1	Pipe DN2	Sealing range mm		L mm	L1 mm	Bolts	Weight kilos
			DN1	DN2				
602-063074-4-312	40 - 50	46 - 63	57 - 74	57 - 74	100	190	2	3.2
602-063085-4-312	40 - 65	46 - 63	68 - 85	68 - 85	100	190	4	4.2
602-074085-4-312	50 - 65	57 - 74	68 - 85	68 - 85	100	210	4	4.2
602-074106-4-312	50 - 80	57 - 74	84 - 106	84 - 106	100	210	4	4.5
602-085106-4-312	65 - 80	68 - 85	84 - 106	84 - 106	100	210	4	4.9
602-106119-4-312	80 - 100	84 - 106	99 - 119	99 - 119	100	210	4	5.3
602-106133-4-312	80 - 100	84 - 106	109 - 133	109 - 133	100	210	4	5.3
602-119133-4-312	100 - 100	99 - 119	109 - 133	109 - 133	100	210	4	5.6
602-119157-4-312	100 - 125	99 - 119	132 - 157	132 - 157	100	210	4	6.4
602-133157-4-312	100 - 125	109 - 133	132 - 157	132 - 157	100	210	4	6.4
602-133183-4-312	100 - 150	109 - 133	157 - 183	157 - 183	115	230	4	7.4
602-157183-4-312	125 - 150	132 - 157	157 - 183	157 - 183	115	230	4	7.7
602-183201-4-312	150 - 150	157 - 183	176 - 201	176 - 201	115	230	4	8.9
602-201215-4-312	150 - 200	176 - 201	193 - 215	193 - 215	115	230	4	9.6
602-201242-4-312	150 - 200	176 - 201	218 - 242	218 - 242	140	250	4	11.2
602-215242-4-312	200 - 200	193 - 215	218 - 242	218 - 242	140	250	4	11.0
602-215268-4-312	200 - 225	193 - 215	242 - 268	242 - 268	140	250	6	13.0
602-242268-4-312	200 - 225	218 - 242	242 - 268	242 - 268	140	250	6	13.5
602-268292-4-312	225 - 250	242 - 268	266 - 292	266 - 292	160	270	6	14.5
602-292306-4-312	250 - 250	266 - 292	280 - 306	280 - 306	160	270	6	15.8
602-292327-4-312	250 - 300	266 - 292	301 - 327	301 - 327	160	270	6	16.3
602-327350-4-312	300 - 300	301 - 327	324 - 350	324 - 350	160	270	6	17.3
602-327378-4-312	300 - 350	301 - 327	352 - 378	352 - 378	160	270	8	19.4
602-350378-4-312	300 - 350	324 - 350	352 - 378	352 - 378	160	270	8	20.3
602-378396-4-312	350 - 350	352 - 378	372 - 396	372 - 396	160	270	8	20.7
602-396410-4-312	350 - 350	372 - 396	384 - 410	384 - 410	160	270	8	21.1
602-410436-4-312	350 - 400	384 - 410	410 - 436	410 - 436	160	270	8	21.9
602-436462-4-312	400 - 400	410 - 436	436 - 462	436 - 462	160	270	8	22.7