

Coupling with tensile resistant sealing ring for PE-pipe
For Polyethylene pipes PE 100, PN 16 - SDR11 to AS/NZ 4130

Use:

For water and neutral liquids.
 Total angular deflection of ± 3.5 degrees per end.
 Highest allowable temperature as for the pipe used, however max. 70°C.

Approvals:

Coating to AS 4020
 EPDM to WRAS

Materials:

Gland ring/ Sleeve	Ductile iron, min. GGG-40, to DIN 1693 (EN-GJS-400: EN1563: 1997)
Coating	Fusion bonded epoxy resin - Internally and externally to AS4158
Tensile sealing ring	Gun metal, DIN 17005 RG5 / EPDM rubber
Nut	Stainless steel (AISI 316), A4 grade 80 PTFE coated
Square neck bolt and washer	Stainless steel, A2 grade 80
Cap	Plastic



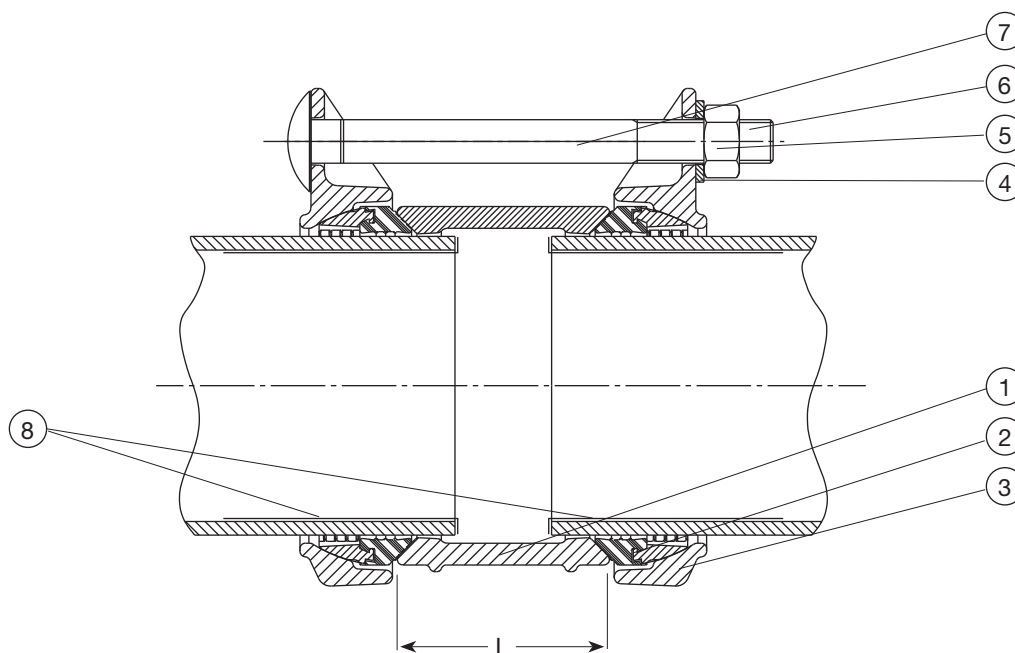
AVK always recommend the Series 05 support bush be utilised when using Polyethylene pipe systems and AVK tensile resistant sealing ring (Supa Plus™) fittings and valves.



Coupling with tensile resistant sealing ring for PE-pipe
 For Polyethylene pipes PE 100, PN 16 - SDR11 to AS/NZ 4130

Component list

- | | | |
|-------------------------|-----------|---------------------|
| 1. Sleeve | 4. Washer | 7. Square neck bolt |
| 2. Tensile sealing ring | 5. Nut | 8. Support bush |
| 3. Bracket | 6. Cap | |



Ref. nos. PN 10/16	OD PE	Bolts	L mm	Theoretic weight kilos
621-10-090-41121	90	2 M16	70	4.7
621-10-110-41121	110	4 M16	78	6.5
621-10-125-41121	125	4 M16	78	8.0
621-10-140-41121	140	4 M16	88	9.0
621-10-160-41121	160	4 M16	88	9.8
621-10-180-41121	180	4 M16	110	13.0
621-10-200-41121	200	6 M16	110	15.5
621-10-225-41121	225	6 M16	110	19.5
621-10-250-41121	250	6 M16	110	28.0
621-10-280-41121	280	6 M16	110	30.0
621-10-315-41121	315	6 M16	168	45.0

SUPPORT BUSH	
PE 100, PN 16 - SDR 11	
Ref. nos.	
05-090-74001	
05-110-74001	
05-125-74001	
05-140-74001	
05-160-74001	
05-180-74001	
05-200-74001	
05-225-74001	
05-250-74001	
05-280-74001	
05-315-74001	